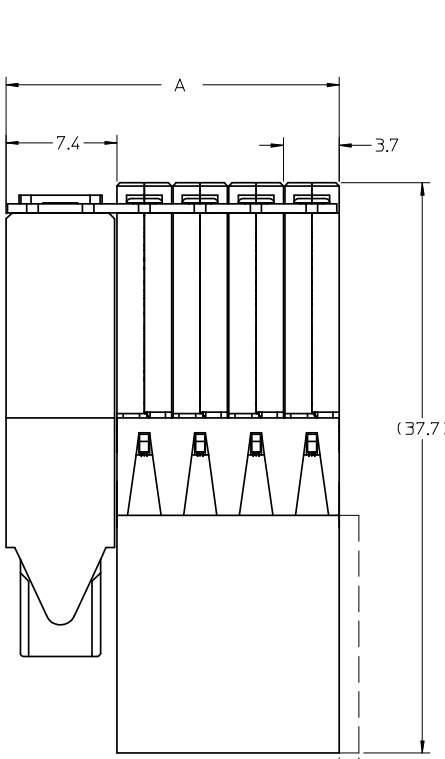
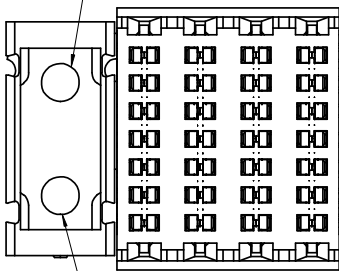


PART NUMBER	# OF COLUMNS	DIM "A" MAX	DIM "B"
76011 - *6**	6	29.60	18.50
76011 - *1**	10	44.40	33.30

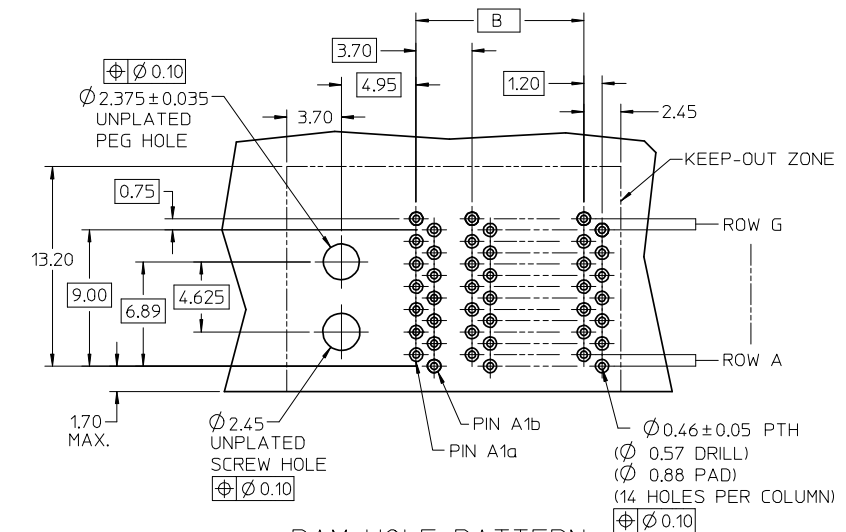
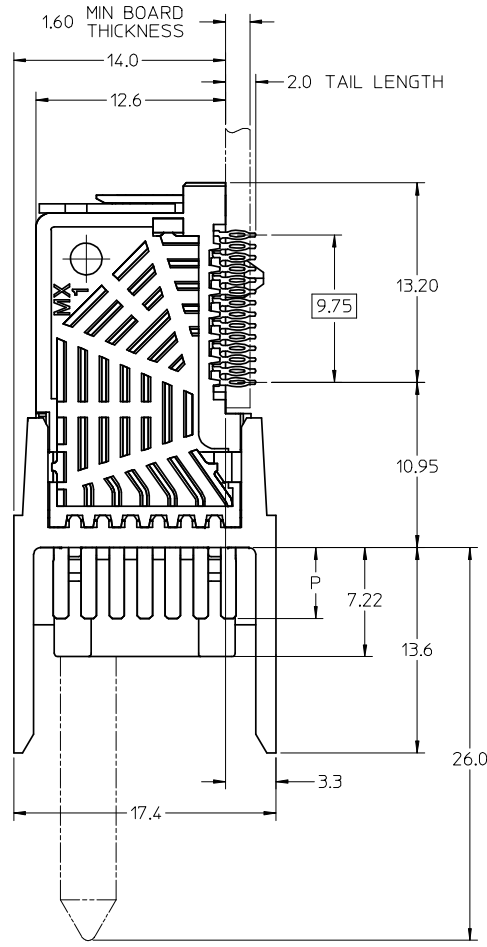


ADDITIONAL SPACE REQUIRED FOR END WALL VERSION

LOCATION OF GUIDE PIN FOR STANDARD COPLANAR



LOCATION OF GUIDE PIN FOR INVERTED APPLICATION



RAM HOLE PATTERN (CONNECTOR SIDE)

SEE NOTE 4.

- NOTES:
- MATERIALS: HOUSING - LIQUID CRYSTAL POLYMER (LCP), BLACK, UL 94V-0 TERMINALS - HIGH PERFORMANCE COPPER ALLOY
  - FINISH: SELECTIVE 30 μ" GOLD IN CONTACT AREA WITH LUBE. SELECTIVE TIN/LEAD (-2\*\*\*, -6\*\*\* ) OR SELECTIVE TIN (-3\*\*\*, 7\*\*\* ) ON PCB TAILS. NICKEL UNDERPLATE OVERALL.
  - MOLEX PRODUCT SPECIFICATION: PS-75710-999.
  - OPTIONAL GUIDE PIN SHOWN IN COPLANAR LOCATION.
  - THIS PART CONFORMS TO CLASS B REQUIREMENTS OF COSMETIC SPEC PS-45499-002.
  - PACKAGED PER PK-70873-588.

CLARIFY ST GRD EC NO: UCP2008-2982 DRWNC: STEWART 2008/06/11 CHKD: TELO 2008/06/11 APPR: BINGHAM 2008/06/11	QUALITY SYMBOLS ▽=0 ▽=0	GENERAL TOLERANCES (UNLESS SPECIFIED) <table border="1"> <thead> <tr> <th></th> <th>mm</th> <th>INCH</th> </tr> </thead> <tbody> <tr> <td>4 PLACES ±</td> <td>---</td> <td>±---</td> </tr> <tr> <td>3 PLACES ±</td> <td>---</td> <td>±---</td> </tr> <tr> <td>2 PLACES ±</td> <td>0.25</td> <td>±---</td> </tr> <tr> <td>1 PLACE ±</td> <td>0.13</td> <td>±---</td> </tr> <tr> <td colspan="3">ANGULAR ± ---°</td> </tr> </tbody> </table>		mm	INCH	4 PLACES ±	---	±---	3 PLACES ±	---	±---	2 PLACES ±	0.25	±---	1 PLACE ±	0.13	±---	ANGULAR ± ---°			DIMENSION STYLE MM ONLY DRAWN BY DATE ELO 2006/05/04 CHECKED BY DATE ELO 2007/02/02 APPROVED BY DATE CBIXLER 2007/02/05	SCALE 4:1 DESIGN UNITS METRIC THIRD ANGLE PROJECTION	TITLE I-TRAC 7-ROW RIGHT ANGLE MALE GUIDE LEFT ASSEMBLY
		mm	INCH																				
	4 PLACES ±	---	±---																				
	3 PLACES ±	---	±---																				
2 PLACES ±	0.25	±---																					
1 PLACE ±	0.13	±---																					
ANGULAR ± ---°																							
DRAFT WHERE APPLICABLE MUST REMAIN WITHIN DIMENSIONS	MATERIAL NO. SEE SHEET 2	DOCUMENT NO. SD-76011-002	SHEET NO. 1 OF 3	MOLEX INCORPORATED																			
THIS DRAWING CONTAINS INFORMATION THAT IS PROPRIETARY TO MOLEX INCORPORATED AND SHOULD NOT BE USED WITHOUT WRITTEN PERMISSION																							
DRAFT WHERE APPLICABLE MUST REMAIN WITHIN DIMENSIONS																							

7 6 0 1 1 - \* \* \* \*

MODULE TYPE - TAIL PLATING TYPE

- LEFT GUIDED - TIN/LEAD = 2
- LEFT GUIDED - TIN ONLY = 3
- GUIDE LEFT, END WALL - TIN/LEAD = 6
- GUIDE LEFT, END WALL - TIN ONLY = 7

# OF COLUMNS

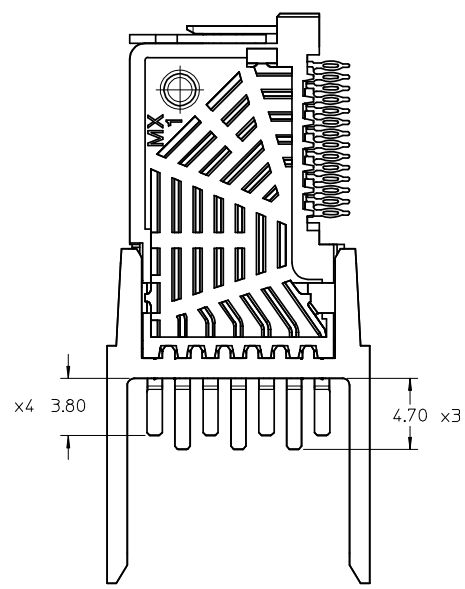
- 6 = 6 COL
- 1 = 10 COL

PIN LENGTH (P)

- 3 = 4.70
- 5 = 3.80, 4.70 STAGGERED

ORIENTATION OF GUIDE POST

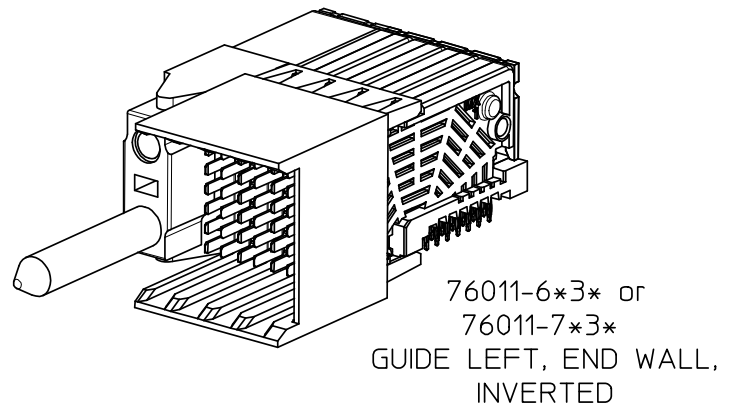
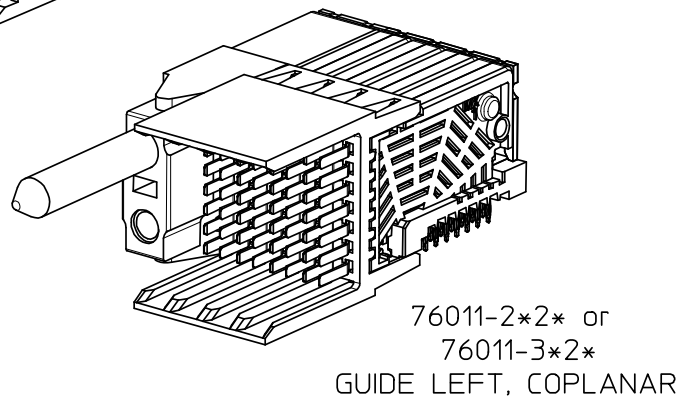
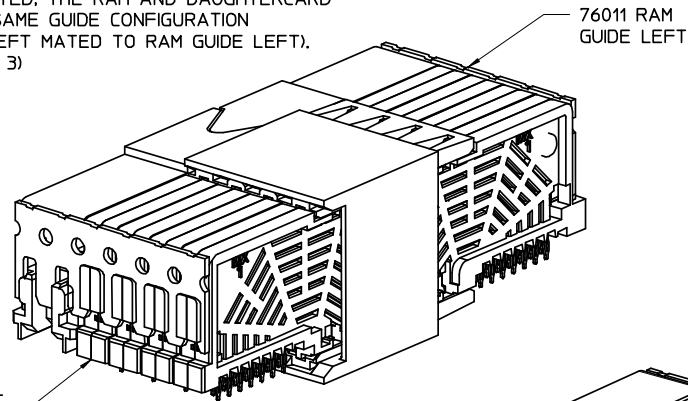
- 2 = COPLANAR
- 3 = INVERTED



STAGGERED PIN OPTION (76011-\*\*\*5)

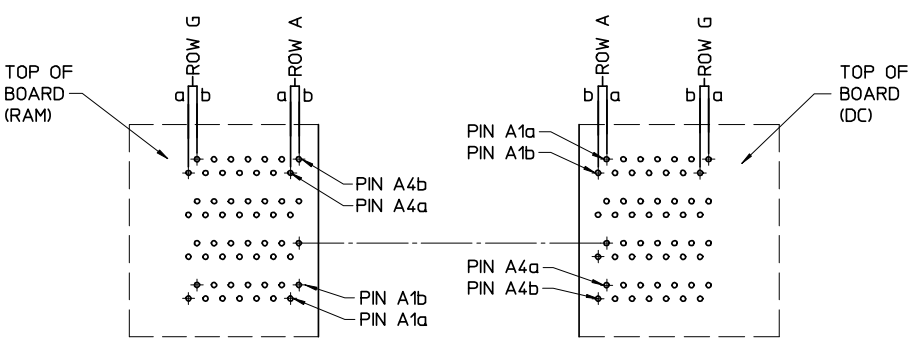
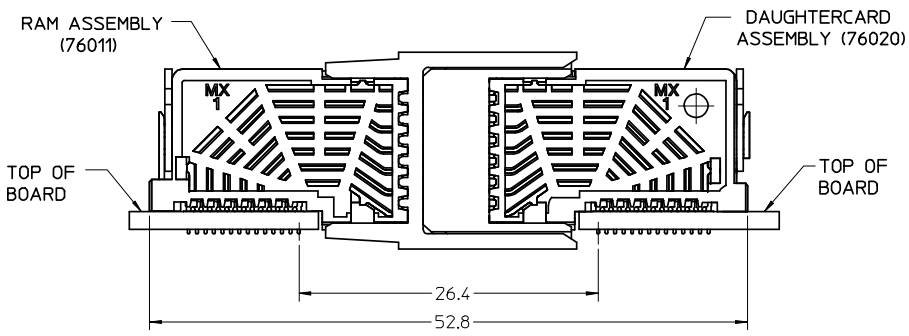
NOTE:

WHEN MATING RIGHT ANGLE MALE (RAM) TO A DAUGHTERCARD IN A COPLANAR APPLICATION, THE GUIDE CONFIGURATION IS OPPOSING (DC GUIDE RIGHT MATED TO RAM GUIDE LEFT). WHEN INVERTED, THE RAM AND DAUGHTERCARD HAVE THE SAME GUIDE CONFIGURATION (DC GUIDE LEFT MATED TO RAM GUIDE LEFT). (SEE SHEET 3)



REM OPT 76011-***6 EC NO: UCP2008-2982 DRWNG: STEWART 2008/06/11 CHKD: TELO 2008/06/11 APPR: BINGHAM 2008/06/11	QUALITY SYMBOLS	GENERAL TOLERANCES (UNLESS SPECIFIED)	DIMENSION STYLE	SCALE	DESIGN UNITS	THIRD ANGLE PROJECTION																		
	▽=0 ▽=0	<table border="1"> <tr> <th></th> <th>mm</th> <th>INCH</th> </tr> <tr> <td>4 PLACES</td> <td>± ---</td> <td>± ---</td> </tr> <tr> <td>3 PLACES</td> <td>± ---</td> <td>± ---</td> </tr> <tr> <td>2 PLACES</td> <td>± 0.25</td> <td>± ---</td> </tr> <tr> <td>1 PLACE</td> <td>± 0.13</td> <td>± ---</td> </tr> <tr> <td colspan="3">ANGULAR ± ---°</td> </tr> </table>		mm	INCH	4 PLACES	± ---	± ---	3 PLACES	± ---	± ---	2 PLACES	± 0.25	± ---	1 PLACE	± 0.13	± ---	ANGULAR ± ---°			MM ONLY	3:1	METRIC	
		mm	INCH																					
	4 PLACES	± ---	± ---																					
3 PLACES	± ---	± ---																						
2 PLACES	± 0.25	± ---																						
1 PLACE	± 0.13	± ---																						
ANGULAR ± ---°																								
DESCRIPTION			DRAWN BY DATE	TITLE	I-TRAC 7-ROW RIGHT ANGLE MALE GUIDE LEFT ASSEMBLY																			
			ELO 2006/05/04																					
			CHECKED BY DATE	MOLEX INCORPORATED SD-76011-002																				
			ELO 2007/02/02																					
			APPROVED BY DATE	MOLEX INCORPORATED SD-76011-002																				
			CB1XLER 2007/02/05																					
			MATERIAL NO.	DOCUMENT NO.	SHEET NO. 2 OF 3																			
			SEE CHART																					
			DRAFT WHERE APPLICABLE MUST REMAIN WITHIN DIMENSIONS				THIS DRAWING CONTAINS INFORMATION THAT IS PROPRIETARY TO MOLEX INCORPORATED AND SHOULD NOT BE USED WITHOUT WRITTEN PERMISSION																	

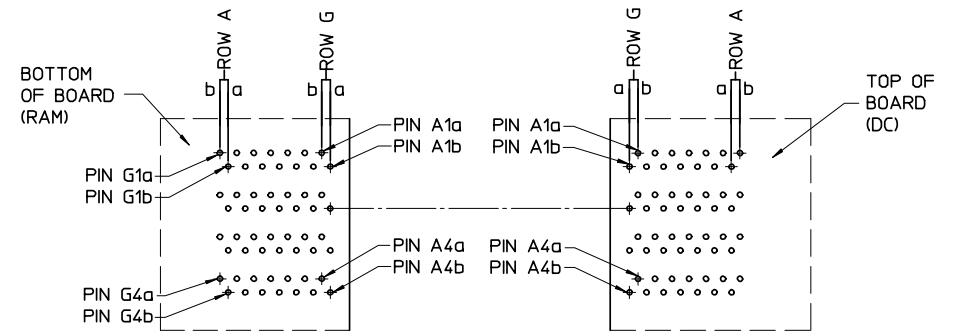
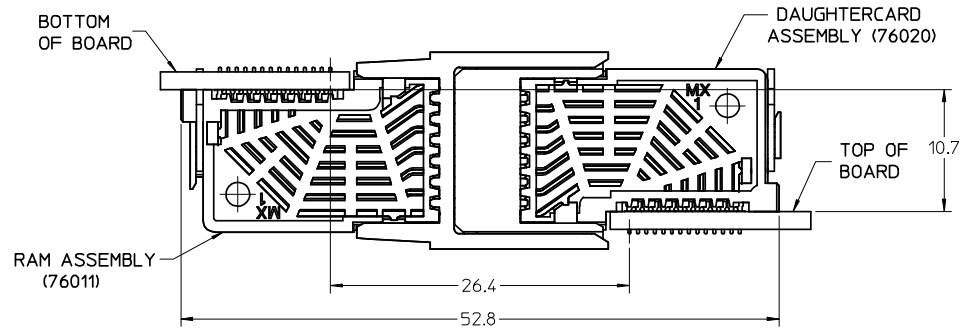
### COPLANAR APPLICATION



**COPLANAR MATED SIGNAL PATHS**

RAM PIN A4b.....	DC PIN A1a
RAM PIN A4a.....	DC PIN A1b
RAM PIN A1b.....	DC PIN A4a
RAM PIN A1a.....	DC PIN A4b

### INVERTED APPLICATION



**INVERTED MATED SIGNAL PATHS**

RAM PIN G1a.....	DC PIN A1a
RAM PIN G1b.....	DC PIN A1b
RAM PIN G4a.....	DC PIN A4a
RAM PIN G4b.....	DC PIN A4b

SEE SHEET 1 EC NO: UCP2008-2982 DRW: C STEWART 2008/06/11 CHKD: TELO 2008/06/11 APPR: J B INGHAM 2008/06/11	QUALITY SYMBOLS ▽=0 ▽=0	GENERAL TOLERANCES (UNLESS SPECIFIED) <table border="1"> <tr> <th></th> <th>mm</th> <th>INCH</th> </tr> <tr> <td>4 PLACES</td> <td>± ---</td> <td>± ---</td> </tr> <tr> <td>3 PLACES</td> <td>± ---</td> <td>± ---</td> </tr> <tr> <td>2 PLACES</td> <td>± 0.25</td> <td>± ---</td> </tr> <tr> <td>1 PLACE</td> <td>± 0.13</td> <td>± ---</td> </tr> <tr> <td colspan="3">ANGULAR ± ---°</td> </tr> </table>		mm	INCH	4 PLACES	± ---	± ---	3 PLACES	± ---	± ---	2 PLACES	± 0.25	± ---	1 PLACE	± 0.13	± ---	ANGULAR ± ---°			DIMENSION STYLE <b>MM ONLY</b> DRAWN BY DATE ELO 2006/05/04 CHECKED BY DATE ELO 2007/02/02 APPROVED BY DATE CB1 XLER 2007/02/05	SCALE <b>2:1</b> TITLE <b>I-TRAC 7-ROW                  RIGHT ANGLE MALE                  GUIDE LEFT ASSEMBLY</b>	DESIGN UNITS <b>METRIC</b> THIRD ANGLE PROJECTION	MATERIAL NO. <b>SEE SHEET 2</b>	DOCUMENT NO. <b>SD-76011-002</b>	SHEET NO. <b>3 OF 3</b>
		mm	INCH																							
	4 PLACES	± ---	± ---																							
	3 PLACES	± ---	± ---																							
2 PLACES	± 0.25	± ---																								
1 PLACE	± 0.13	± ---																								
ANGULAR ± ---°																										
DRAFT WHERE APPLICABLE MUST REMAIN WITHIN DIMENSIONS		THIS DRAWING CONTAINS INFORMATION THAT IS PROPRIETARY TO MOLEX INCORPORATED AND SHOULD NOT BE USED WITHOUT WRITTEN PERMISSION		MOLEX INCORPORATED		MOLEX																				